

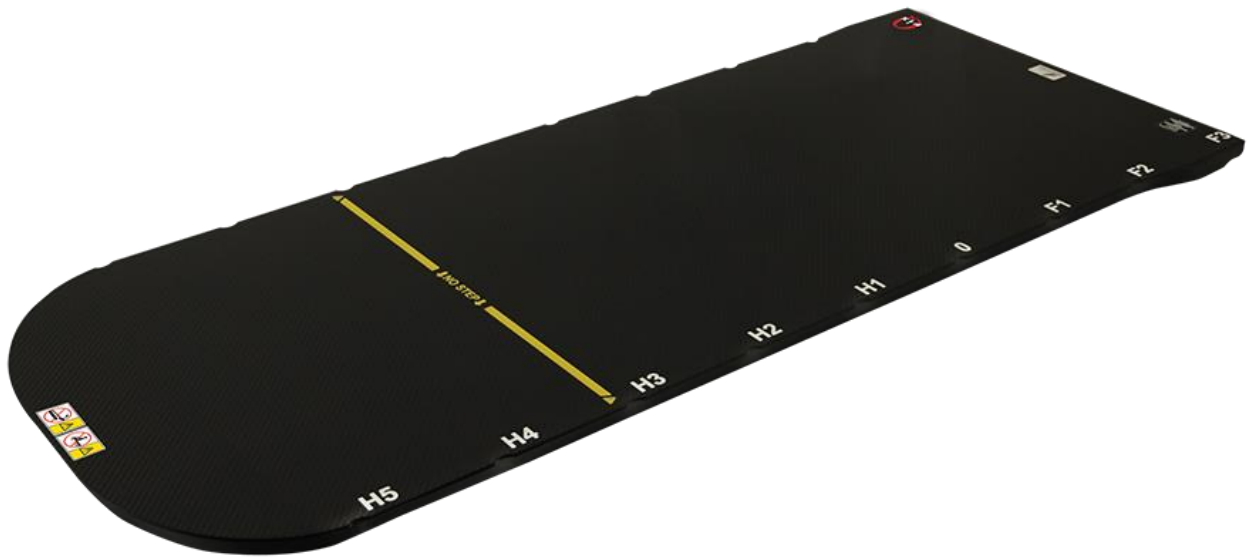


positioning
patients for life.®

TECHNICAL DATA SHEET

RT-4551KV1

kVue™ Standard Insert



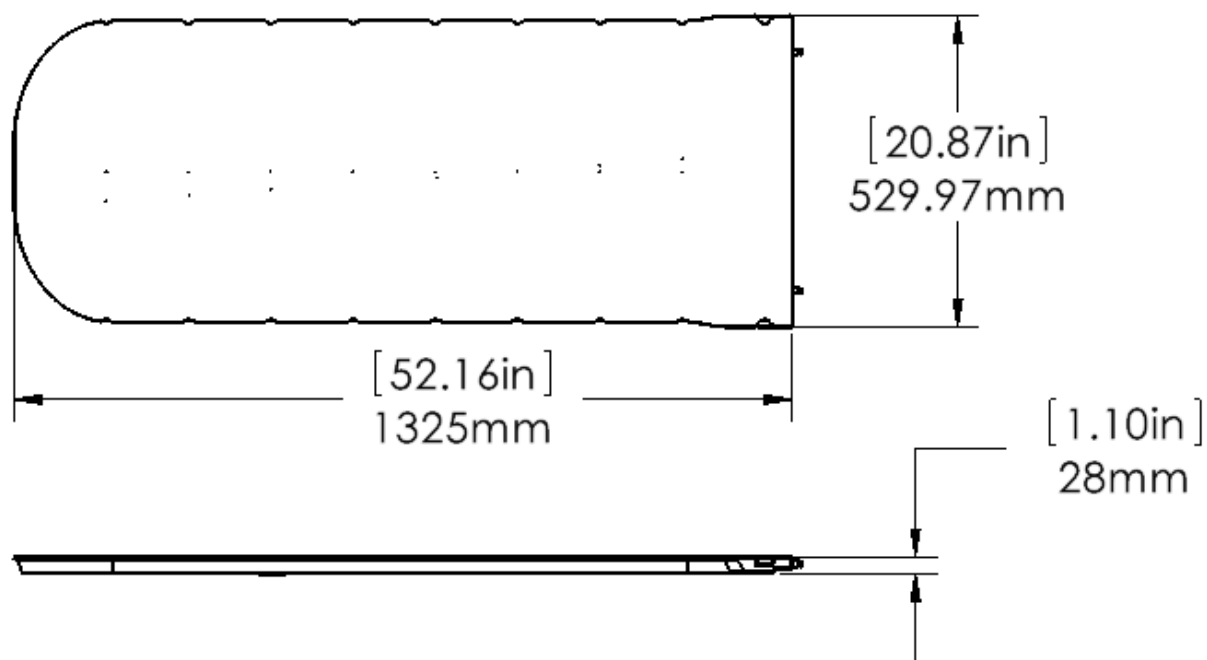
| | |
|----------------------------|--|
| Product Name | kVue Standard Insert |
| Product Number | RT-4551KV1 |
| General Description | Patient Positioning System |
| Indications for Use | This device is intended to immobilize, position and reposition patients undergoing radiation therapy |

TECHNICAL DATA SHEET – 2009064_A

Technical Details

| | | |
|--------------------------------|-----------------------|-------------------|
| Materials | Foam Cored Composite | |
| MR Compatibility | NOT MR Compatible | |
| Weight (Approx.) | 4.5 kg (10 lbs) | |
| Patient Weight Capacity | 249 kg (550 lbs) | |
| Dosimetric Properties | Water Equivalence: | 6 mm @ 6 MV |
| | Aluminum Equivalence: | ~0.5 mm @ 100 kVp |

Technical Drawing



kVue™ Standard Insert
kVue is a trademark of Qfix

TECHNICAL DATA SHEET – 2009064_A