



positioning
patients for life.®

TECHNICAL DATA SHEET

RT-4551KV2

kVue™ Short Standard Insert



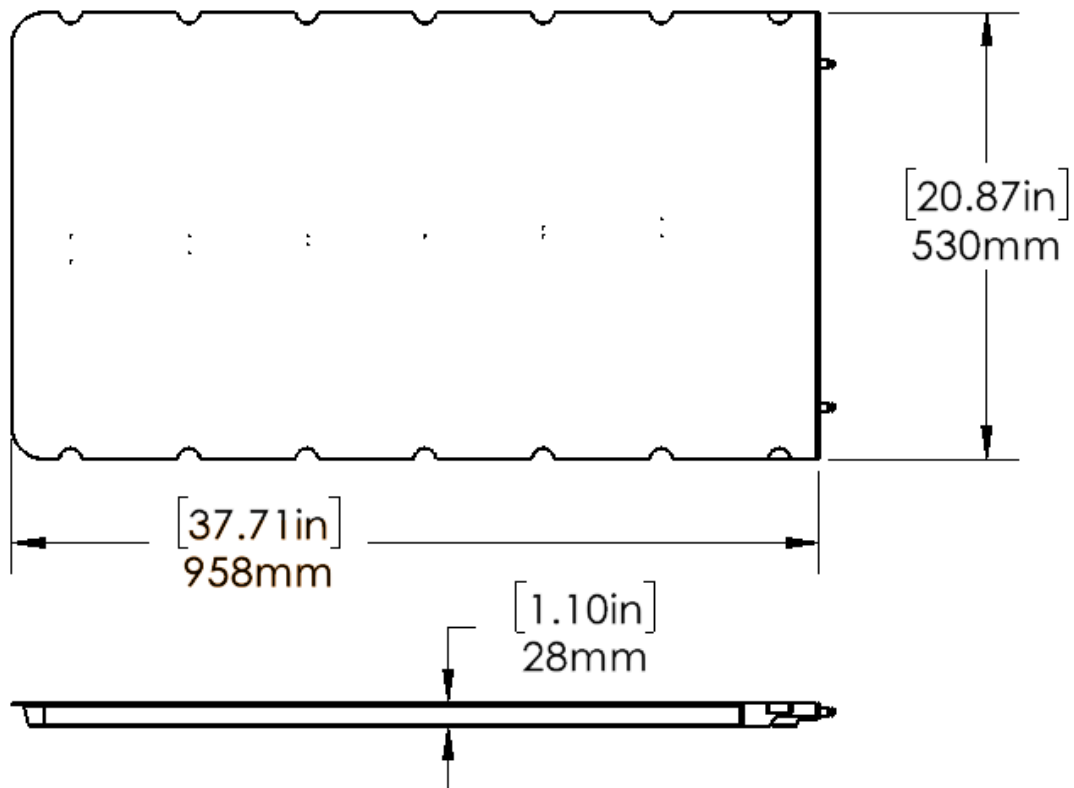
Product Name	kVue Short Standard Insert
Product Number	RT-4551KV2
General Description	Patient Positioning System
Indications for Use	This device is intended to immobilize, position and reposition patients undergoing radiation therapy

TECHNICAL DATA SHEET – 2009063_A

Technical Details

Materials	Foam Cored Composite
MR Compatibility	NOT MR Compatible
Weight (Approx.)	4.5 kg (10 lbs)
Patient Weight Capacity	249 kg (550 lbs)
Dosimetric Properties	Water Equivalence: 6 mm @ 6 MV Aluminum Equivalence: ~0.5 mm @ 100 kVp

Technical Drawing



kVue™ Short Standard Insert
kVue is a trademark of Qfix

TECHNICAL DATA SHEET – 2009063_A