

RapidHeat™ Oven

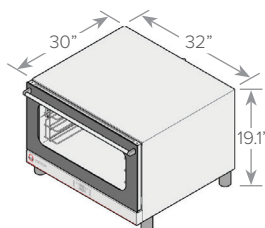
Dry Air Heating Solution



The RapidHeat™ Oven quickly reaches working temperatures and provides an easy to use method to heat Aquaplast RT™ and Fibreplast® thermoplastic masks as well as Aquaplast RT™ Custom Bolus™. The design envelops the thermoplastic with hot air evenly softening the mask or bolus for molding. The RapidHeat™ Oven features an easy to read digital timer and temperature control. The two sliding racks boast a non-stick coating which reduces the potential for sticking of the thermoplastic. The large interior of the oven has the ability to heat multiple masks simultaneously. For added safety the RapidHeat™ Oven automatically shuts off after 2 hours of inactivity.

Additional Features:

- Minimizes cross contamination
- Non-stick racks for easy cleaning
- Easy to read 7.5 cm digital display



Outer dimensions: 32" w x 30" d x 19.1" h (inches)
81.3w x 76.2d x 48.5h cm

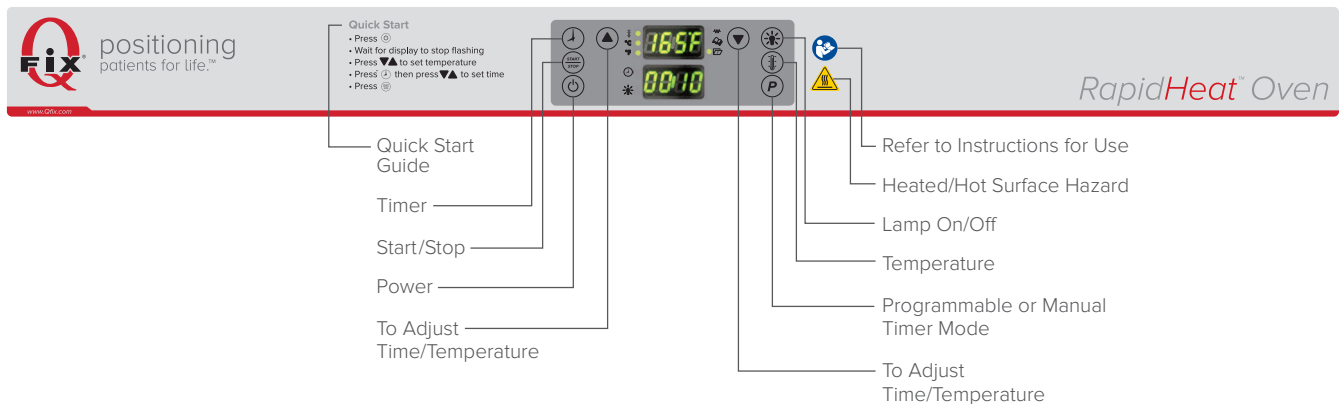
Internal dimensions: 27" w x 21" d x 10" h (inches)
68.6w x 53.3d x 25.4h cm

Features

Digital Display

RapidHeat™ has a large 7.5 cm high digital display that features a Quick Start Guide to help easily navigate operating the oven. The digital temperature control can be used in a programmable or manual timer mode, increasing work flow efficiencies. The arrow indicators adjust Time/Temperature and the Start/Stop function allows you to easily preheat the oven while prepping your patient.

No more need for external timers, the digital display includes a timer that counts down from the designated time and alerts you when ready. The time can be set accordingly for different masks and Aquaplast RT™ Custom Bolus™.



Storage

Thermoplastic Prep Cart

The Thermoplastic Prep Cart is ideal for use with a water bath or RapidHeat™ Oven. The cart has four wheels for easy maneuverability of the cart and heating appliance. The cart features two open shelves to store Fibreplast® and Aquaplast RT™ masks and/or accessories. The stainless steel cart is easy to clean.



RT-2111B
Thermoplastic Prep Cart
shown with RapidHeat™ Oven

RT-2075-110	RapidHeat Oven, 110 Volts
RT-2075-220*	RapidHeat Oven, 220 Volts
RT-2111B	Thermoplastic Prep Cart

* Comes standard with European plug.

2007864_EN_E

This brochure contains information about products which may or may not be available in particular countries. Each country has specific laws and regulations governing the commercialization of medical devices and the communication of information regarding medical devices in printed and digital media. Products appearing in this brochure or on our website may or may not have received approval, clearance, or marketing authorization by a governmental regulatory body in any particular country, or may have received approval, clearance, or marketing authorization for different indications and restrictions in different countries, or may be for investigational use only. A product's appearance in this brochure should not be construed as a solicitation or promotion for said product, nor any indication which is not authorized by the laws and regulations of the country where the reader resides.



Qfix
Avondale, PA
+1 610.268.0585
sales@Qfix.com
www.Qfix.com