



positioning  
patients for life.®

# TECHNICAL DATA SHEET

## RT-4800-KS

### FlexLock™ Knee Support



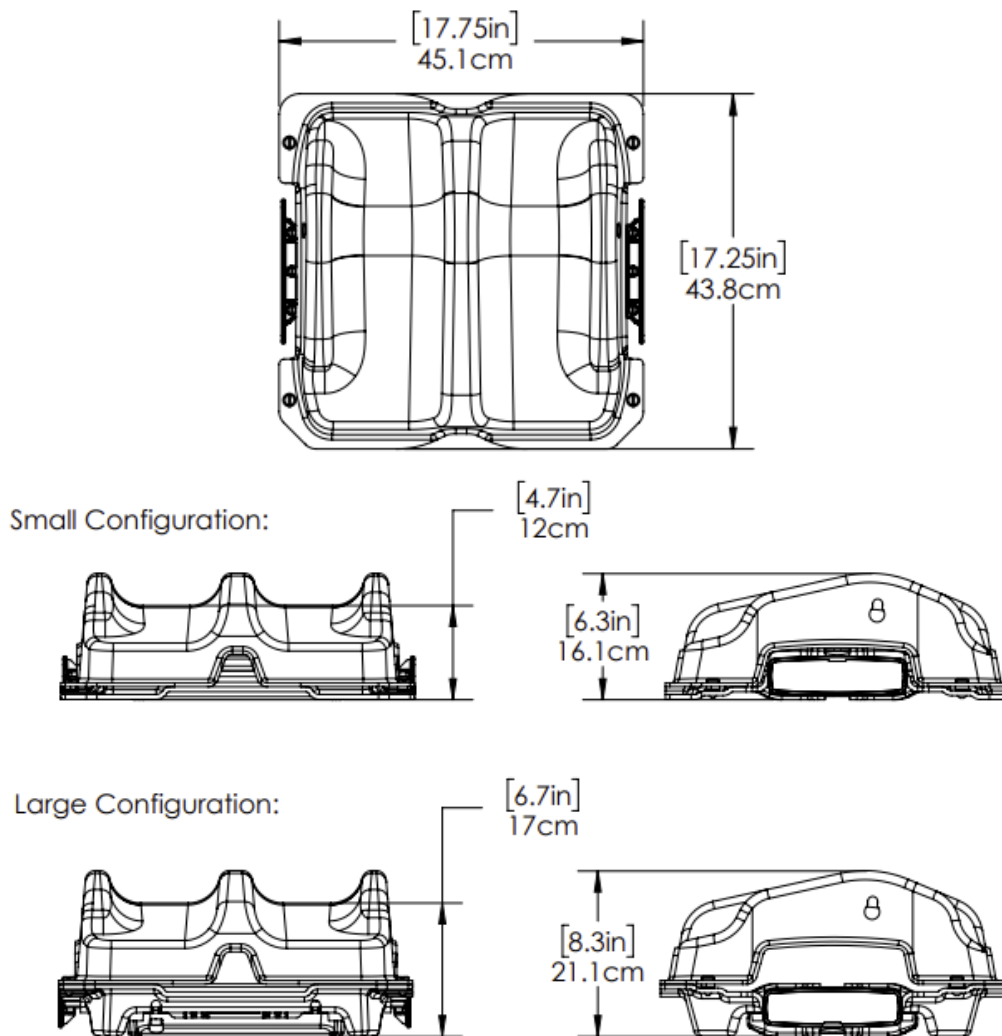
<b>Product Name</b>	FlexLock Knee Support
<b>Product Number</b>	RT-4800-KS
<b>General Description</b>	Patient Positioning System
<b>Indications for Use</b>	This device is intended to immobilize, position and reposition patients undergoing radiation therapy

**TECHNICAL DATA SHEET – 2008728\_B**

# Technical Details

<b>Materials</b>	Plastic
<b>MR Compatibility</b>	MR Safe
<b>Weight (Approx.)</b>	3.8 kg (8.5 lbs)
<b>Patient Weight Capacity</b>	250 kg (550 lbs)

## Technical Drawing



FlexLock™ Knee Support  
FlexLock is a trademark of Qfix

**TECHNICAL DATA SHEET – 2008728\_B**