



positioning  
patients for life.®

# TECHNICAL DATA SHEET

## RT-4800-FS

### FlexLock™ Foot Support



<b>Product Name</b>	FlexLock Foot Support
<b>Product Number</b>	RT-4800-FS
<b>General Description</b>	Patient Positioning System
<b>Indications for Use</b>	This device is intended to immobilize, position and reposition patients undergoing radiation therapy

**TECHNICAL DATA SHEET – 2008729\_B**

---

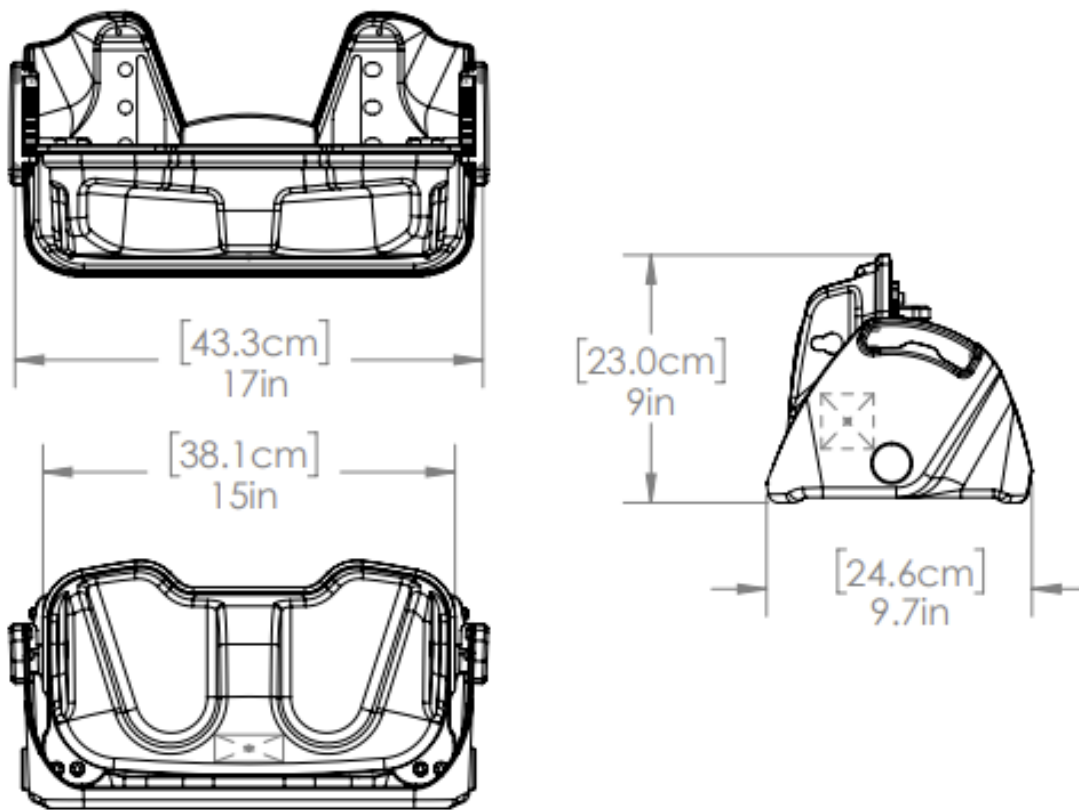
# Technical Details

---

<b>Materials</b>	Plastic
<b>MR Compatibility</b>	MR Safe
<b>Weight (Approx.)</b>	2.5 kg (5.5 lbs)
<b>Patient Weight Capacity</b>	250 kg (550 lbs)

---

## Technical Drawing



FlexLock™ Foot Support  
FlexLock is a trademark of Qfix

**TECHNICAL DATA SHEET – 2008729\_B**