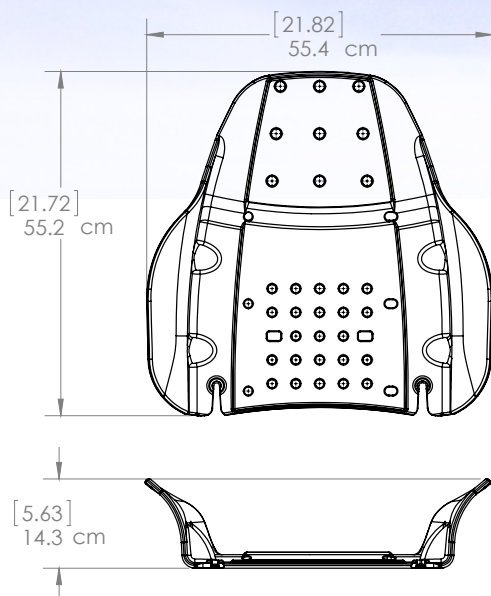
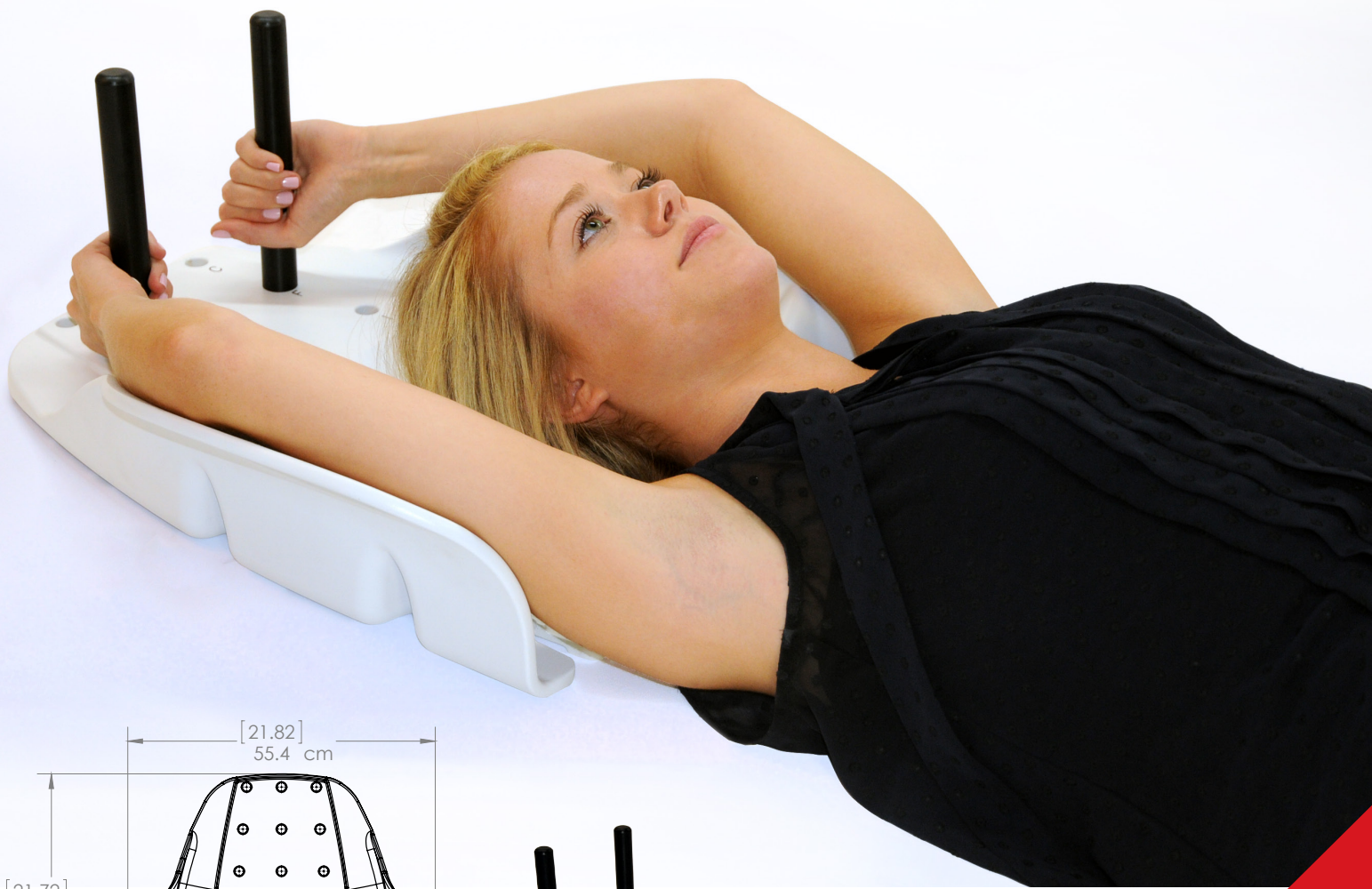


ArmShuttle™ Elite



Lightweight & Ergonomic Design

The lightweight ArmShuttle Elite has an ergonomic design for patient comfort and support. Multiple head rest positions allow for additional head and arm positioning flexibility. The MR and CT compatible ArmShuttle Elite is indexable for enhanced reproducibility from imaging through treatment. It easily attaches to the Access Supine Breast Device, Stradivarius SBRT system and a number of our other devices.



Qfix
Avondale, PA
+1 610-268-0585
sales@Qfix.com
www.Qfix.com

NEW!

M119
Rev 11/13